

# PSC-ZAD-WCM-2X0-BLE-SR | Outdoor Wireless Fixture Controller-DALI, Color Tuning

## Overview

- Compliance with D4i specifications for intra-luminaire DALI
- Bluetooth® SIG mesh
- Photocell control, High-End Trim, Zoning, Continuous Bi-level Dimming, Color Tuning when pairing with DALI driver
- Energy Monitoring and Scheduling with TruBlu™ Gateway and D4i driver
- Zhaga Book 18 Connector
- Outdoor and Indoor rated
- Technology Partner SILVAIR



\*Receptacle not included



DLC for indoor only

## Applications

The Wireless Fixture Controller-DALI allows to communicate with DALI Control Gear, it is made to fit into a Bluetooth® SIG mesh system by converting standard Bluetooth® SIG mesh protocol to DALI protocol.

The PSC-ZAD-WCM-210-BLE-SR option also measures the ambient light and relays the current level for automated lighting control.

This controller is suitable for a variety of indoor and outdoor applications. It is IP 65 rated for use in temperatures ranging from -40° to 70°C.

The Bluetooth® SIG mesh module allows for wireless dimming of D4i Driver and seamless integration of Bluetooth® SIG mesh software solutions. The physical form is intended to be paired with the Zhaga Book18 receptacle.

## Wireless Control Operation

**TruBlu™ Mesh Controls:** Qualified for Bluetooth Mesh 1.0.1 (SIG), the unit can pair with an iOS application to allow initial setup and subsequent adjustments. End users can program dimming levels and group multiple controllers into a Bluetooth® Mesh system for simultaneous wireless lighting control.

**DALI Communication:** PSC-ZAD-WCM-200/210-BLE-SR allows for DALI Control Gear pairing with Bluetooth® SIG mesh system.

**Photocell (for PSC-ZAD-WCM-210-BLE-SR version only):** Allows for ambient daylight detection for automated lighting control.

See TruBlu™ Commissioning User Manual for more info.

## Summary

Product Type:  
Wireless Fixture Controller

Input Voltage | Current Consumption:  
24 VDC | 100 mA

DALI:  
Compliance with D4i specifications for intra-luminaire DALI

Mounting:  
Zhaga Book18 Receptacle

Max Bluetooth Range<sup>1</sup>:  
49 ~ 65ft (15 ~ 20m)

Operating Temperature:  
-40° C to 70° C

Storage Temperature:  
-40° C to 85° C

Relative Humidity:  
90-95% non-condensing at 30°C

Color: Black / Dark Brown

Warranty: 5 years

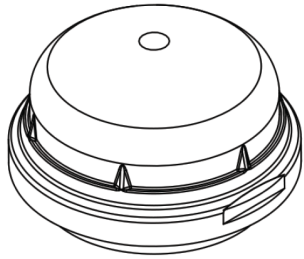
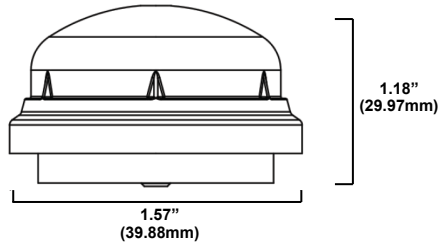
Note:

1. Bluetooth Range is highly dependent on the integration of fixtures, surrounding environment and conditions. It is recommended to conduct testing for range accuracy.

## How to Order

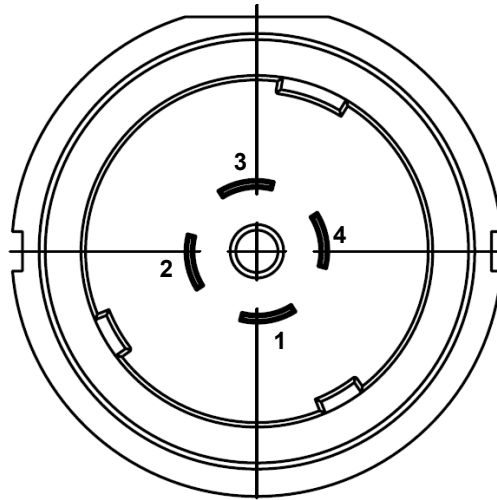
Model No.	Description	Input Voltage	Output
PSC-ZAD-WCM-200-BLE-SR	Fixture Controller w/ DALI, Color Tuning, Bluetooth Mesh in TruBlu™	24VDC	DALI
PSC-ZAD-WCM-210-BLE-SR	Fixture Controller w/ DALI, Light Sensing, Color Tuning, Bluetooth Mesh in TruBlu™	24VDC	DALI

Physical Dimensions



Drawings are Not to Scale

Wireless Block Diagram:



Contact Module	Contact Receptacle	Assignment
1	1	<ul style="list-style-type: none"> <li>• +24 V AUX Power Supply</li> </ul>
2	2	<ul style="list-style-type: none"> <li>• DA- (Negative pole for the DALI communication and power)</li> <li>• GND for +24V AUX Power Supply</li> </ul>
3	3	<ul style="list-style-type: none"> <li>• DA+ (Positive pole for the DALI communication and power)</li> </ul>
4	4	<ul style="list-style-type: none"> <li>• Not connected</li> </ul>

Design and specifications are subject to change without notice.