

PSC-DM-I-WS-200-BLE-SR Series | Wireless PIR 2-Button Dimmer Wall Switch

Basic Features

- PIR Sensor
- Bluetooth Mesh
- Manual on/off (wireless)
- Dim up/down (wireless)
- LED status indicator light
- Mounts in any standard wall box
- Color: white
- Technology Partner SILVAIR



Suitable for Indoor Use Only



Applications

PSC-DM-I-WS-200-BLE-SR Bluetooth mesh PIR wall switches provide automatic lighting control for a variety of indoor applications. They can replace any standard single-pole wall switch. 2-Button can be used for On/Off, and dimming controls. The configurations of each button can be personalized at the field.

PIR detection is best suited for areas with (1) clear line of sight, and (2) good air circulation. Typical applications include classrooms, copy rooms, offices, conference rooms, and private restrooms.

Control Purpose: Operating
 Control Construction: Independently mounted for flush panel mounting
 Pollution Degree: PD2, Indoor
 Impulse Voltage: 4000 V
 Action Type: 1

How to Order

Model No.	Description	Input Voltage
PSC-DM-I-WS-200-BLE-SR	Wireless PIR 2-Button Dimmer Wall Switch Occupancy Sensor, Bluetooth Mesh in TruBlu™	120-277 VAC, 60Hz

Sensor Operation

TruBlu™ Mesh Controls: Qualified for Bluetooth Mesh 1.0.1 (SIG), the sensor connects to a Bluetooth mesh network to control all of the lights in a specific zone. The unit also functions as a dimmer to override the pre-configured motion sensor settings

End Users can program length of time delays, fade time, and other settings using iOS apps.

The sensor will be configured for standard default settings. The user can override these settings using the Bluetooth app to custom tailor their application.

See TruBlu™ Commissioning User Manual for more info.

Summary

Sensor Type:
PIR occupancy sensor

Input Voltage | Power Consumption:
120-277 VAC, 50/60Hz | Max 1.5W

Mounting:
Standard wall box

Max Range¹:
40 ft @ 4ft mounting height
(12.2m @ 1.2m mounting height)

Max Bluetooth Range²:
49 ~ 65ft (15 ~ 20m)

Operating Temperature:
0° to 55°C

Storage Temperature:
-10° to 60°C

Relative Humidity:
90-95% non-condensing at 30°C

Color: White

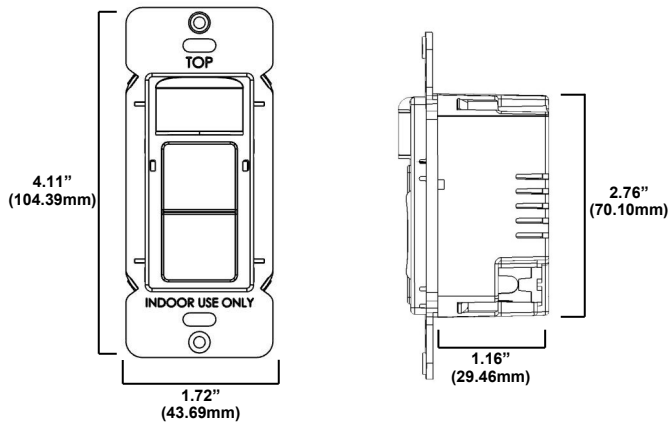
Warranty: 5 years

Note:

1. The application/absolute range of the sensor is subject to variation because of different types of clothing, backgrounds, and ambient temperature. It is recommended to conduct testing for detection range accuracy.

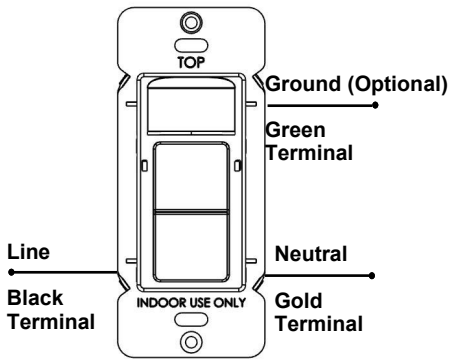
2. Bluetooth Range is highly dependent on the integration of fixtures, surrounding environment and conditions. It is recommended to conduct testing for range accuracy.

Physical Dimensions

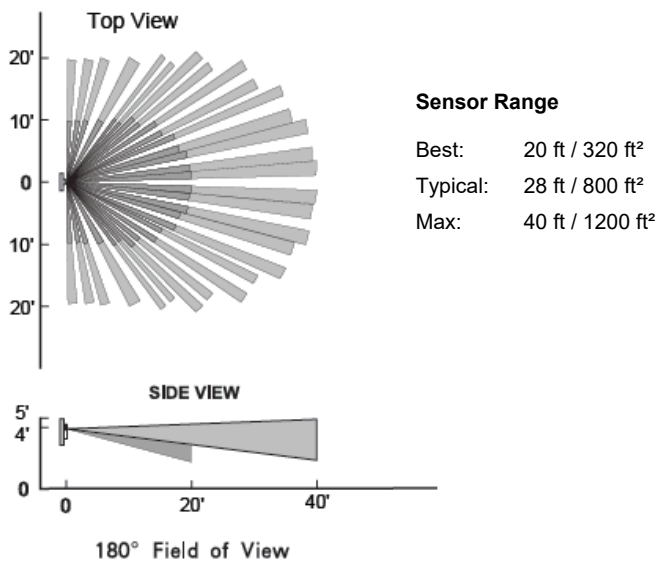


Drawings are Not to Scale

Wiring Diagram



Detection Area



Design and specifications are subject to change without notice.