

PSC-DM-WS-100-BLE-SR Series | Bluetooth Dimmer Wall Switch

Basic Features

- Bluetooth® SIG mesh
- Manual on/off (wireless)
- Dim up/down (wireless)
- LED status indicator light
- Mounts in any standard wall box
- Color: white
- Technology Partner SILVAIR



Suitable for Indoor Use Only



Applications

PSC-DM-WS-100-BLE-SR Bluetooth mesh dimmers provide automatic lighting control for a variety of indoor applications. They can replace any standard single-pole wall switch.

Typical applications include public restrooms, private offices, classrooms, conference rooms, storage spaces, and break rooms.

Control Purpose: Operating
 Control Construction: Independently mounted for flush panel mounting
 Pollution Degree: PD2, Indoor
 Impulse Voltage: 4000 V
 Action Type: 1

Sensor Operation

TruBlu™ Mesh Controls: Qualified for Bluetooth Mesh 1.0.1 (SIG), the dimmer connects to a Bluetooth mesh network to control all of the lights in a specific zone. The unit also functions as a dimmer to override the pre-configured motion sensor settings

End Users can program length of time delays, fade time, and other settings using iOS apps.

The dimmer will be configured for standard default settings. The user can override these settings using the Bluetooth app to custom tailor their application.

See TruBlu™ Commissioning User Manual for more info.

Summary

Product Type:
Dimmer Wall Switch

Input Voltage | Power Consumption:
120-277 VAC, 50/60Hz | Max 1.5W

Mounting:
Standard wall box

Max Bluetooth Range¹:
49 ~ 65ft (15 ~ 20m)

Operating Temperature:
0° to 55°C

Storage Temperature:
-10° to 60°C

Relative Humidity:
90-95% non-condensing at 30°C

Color: White

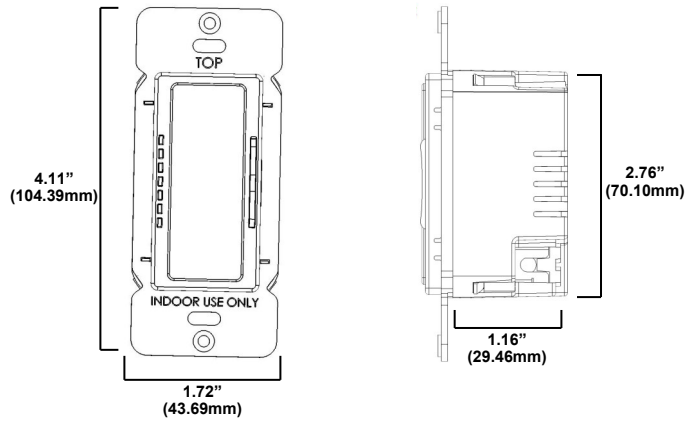
Warranty: 5 years

Note:
 1. Bluetooth Range is highly dependent on the integration of fixtures, surrounding environment and conditions. It is recommended to conduct testing for range accuracy.

How to Order

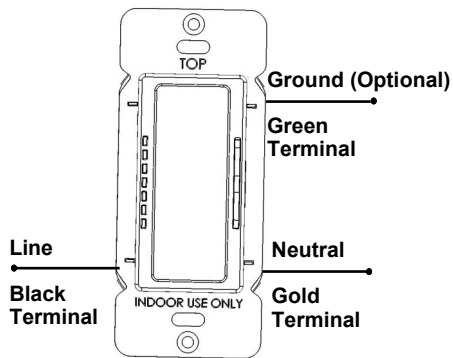
Model No.	Description	Input Voltage
PSC-DM-WS-100-BLE-SR	Wireless Dimmer Wall Switch, Bluetooth Mesh in TruBlu™	120-277 VAC, 60Hz

Physical Dimensions



Drawings are Not to Scale

Wiring Diagram



Design and specifications are subject to change without notice.