

PSC-DM-WS-200-BLE-SR Series | Wireless 2-Button Dimmer Wall Switch

**Basic Features**

- Bluetooth® SIG mesh
- Manual on/off (wireless)
- Dim up/down (wireless)
- LED status indicator light
- Mounts in any standard wall box
- Color: white
- Technology Partner SILVAIR



Suitable for Indoor Use Only



**Applications**

PSC-DM-WS-200-BLE-SR Bluetooth mesh dimmers provide automatic lighting control for a variety of indoor applications. They can replace any standard single-pole wall switch. 2-Button can be used for On/Off, and dimming controls. The configurations of each button can be personalized at the field.

Typical applications include public restrooms, private offices, classrooms, conference rooms, storage spaces, and break rooms.

Control Purpose: Operating  
 Control Construction: Independently mounted for flush panel mounting  
 Pollution Degree: PD2, Indoor  
 Impulse Voltage: 4000 V  
 Action Type: 1

**Sensor Operation**

**TruBlu™ Mesh Controls:** Qualified for Bluetooth Mesh 1.0.1 (SIG), the dimmer connects to a Bluetooth mesh network to control all of the lights in a specific zone. The unit also functions as a dimmer to override the pre-configured motion sensor settings

End Users can program length of time delays, fade time, and other settings using iOS apps.

The dimmer will be configured for standard default settings. The user can override these settings using the Bluetooth app to custom tailor their application.

See TruBlu™ Commissioning User Manual for more info.

**Summary**

Product Type:  
Dimmer Wall Switch

Input Voltage | Power Consumption:  
120-277 VAC, 50/60Hz | Max 1.5W

Mounting:  
Standard wall box

Max Bluetooth Range<sup>1</sup>:  
49 ~ 65ft (15 ~ 20m)

Operating Temperature:  
0° to 55°C

Storage Temperature:  
-10° to 60°C

Relative Humidity:  
90-95% non-condensing at 30°C

Color: White

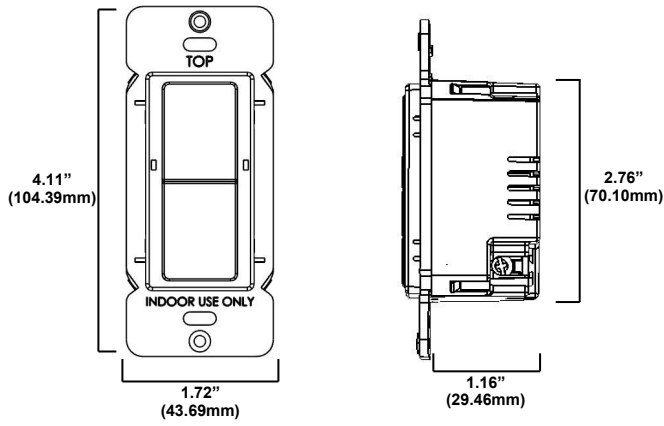
Warranty: 5 years

Note:  
 1. Bluetooth Range is highly dependent on the integration of fixtures, surrounding environment and conditions. It is recommended to conduct testing for range accuracy.

**How to Order**

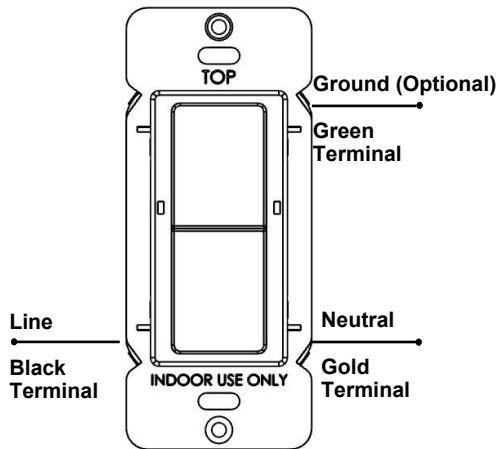
Model No.	Description	Input Voltage
PSC-DM-WS-200-BLE-SR	Wireless 2-Button Dimmer Wall Switch, Bluetooth Mesh in TruBlu™	120-277 VAC, 60Hz

### Physical Dimensions



Drawings are Not to Scale

### Wiring Diagram



Design and specifications are subject to change without notice.