

Wireless Bluetooth® SIG Mesh Gateway



Suitable For Indoor Use Only

Overview

- Optional Gateway Enables Advanced Features
- Adds Astronomical Time Scheduling To The Mesh Network
- Provides Real Time Power Consumption Data Of Lighting Loads
- See Real Time Occupancy Heat Map of Enabled Spaces
- Multiple Gateways Can Be Networked Together On A Single Project
- IoT Solutions
- Bluetooth® SIG mesh
- Remote Data, Monitoring And Provisioning
- Transmits Data To TruBlu™ Cloud

Applications

The optional McWong Gateway (PSC-SGW-101-DC) extends the capabilities of a mesh network with Internet access. Data from Bluetooth SIG Mesh lighting control networks can be collected by the Gateway and transmitted to the Cloud, where it can be analyzed and visualized.

The McWong gateway can control multiple areas. A single area is a single level of a building and includes a floor plan which helps to navigate through commissioning, monitoring and maintenance of a project.

The gateway can manage data from a network of approximately 200 Bluetooth mesh devices and works with qualified Bluetooth mesh stack.

Operation

TruBlu™ Mesh Controls: Qualified by Bluetooth SIG for its Bluetooth Mesh 1.0.1 specification, the gateway connects to a Bluetooth mesh network and is accessed via the TruBlu web portal or mobile app for initial design, setup and scheduling, as well as subsequent parameter adjustments.

The gateway allows for advanced functionality such as energy monitoring, and demand response.

See the TruBlu™ Commissioning User Manual for more information.



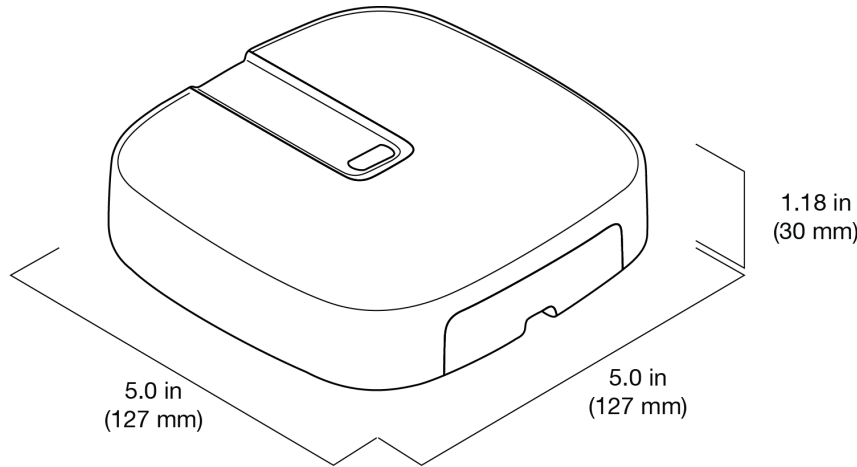
Summary

Product Type:: IoT Gateway
DC Power Supply: 12V, 1-1.5A or PoE 802.3af
Ethernet: 10/100 Ethernet with PoE 802.3af
Mounting: Wall Mount Bracket
Communication Protocols: Bluetooth SIG Mesh, TCP/IP, IPv4
Max Bluetooth Range ¹ : 100ft (30.4m)
Operating Temperature: 0°C to 70°C 32°F to 158°F
Storage Temperature: -40° C to 85°C
Relative Humidity: 90-95% non-condensing
Color: White
Material: ABS Plastic
Warranty: 5 years
Weight: 0.56 lbs (0.254 kg)

Note:
1. Wireless Range is highly dependent on the integration of fixtures, surrounding environment and conditions. It is recommended to conduct testing for range accuracy.

Project	
Location/Type	

Physical Dimensions



Drawings Are Not To Scale

Remote Maintenance And Upgrades

The PSC-SGW-101-DC is remotely upgradeable (regular maintenance updates).

Remote access to gateway data, remote monitoring, remote provisioning. The owner of the lighting installation needs only to install the gateway in the space, but does not need to perform health-checks or do the updates.

Monitoring and logging alerts for the key performance metrics such as: CPU load and connectivity status.

In case of an unexpected issue with a gateway device or a need of an emergency reconfiguration, the owner / installer needs to contact the support and these cases are handled by the gateway provider.

Gateway Network Options

PSC-SGW-101-DC uses DHCP to configure its IP address, default gateway, and DNS servers.

The PSC-SGW-101-DC user must whitelist several remote hosts & ports. A full list of remote hosts & ports is available in “SN-210 TruBlu™ gateway set up and connection instructions”.

Be aware that many of these hosts resolve to multiple IP addresses which may change at any time. System administrators should not rely on whitelisting individual IP addresses for these services.

Networking Options

Qualified Bluetooth Mesh
10/100 Ethernet with PoE 802.3 af

Outbound and inbound amplification increasing connectivity range

Static IP

Upgrades and Security

Linux Operating System, secure boot & encrypted file system

High level of hardware and software security (secure boot & encrypted file system that can only be accessed with the management platform)

Secure provisioning of devices: gateways are provisioned with secure IDs and encrypted keys

Automatic security updates

OS updates & fixes to vulnerabilities as soon as any discovered



How to Order

Model No.	Description	Input Voltage	Ports
PSC-SGW-101-DC	Bluetooth SIG Mesh Gateway, TruBlu™ Silvair Technology Partner	12VDC, 1-1.5A or PoE 802.3 af	1 x RJ45 10/100 Ethernet port (with PoE)

Design and specifications are subject to change without notice.