

# PSC-ZKV-WCM-100-BLE-CB | Wireless Fixture Controller, w/ Z0 Connector

## Overview

- Casambi Bluetooth Mesh
- 0-10V Dimming output
- High-End Trim, Zoning, Continuous Bi-level Dimming, Scheduling
- Active High output for Relay drive
- Outdoor and Indoor rated
- Low Voltage Connector, match with PSC-ZKV-R1T, TE 2343403-1



\*Receptacle not included

## Applications

The Wireless Fixture Controller allows for one channel of 0-10 dimming, high relay control, and is made to fit into a Bluetooth mesh system.

The controller is suitable for a variety of indoor and outdoor applications. It comes with Low Voltage Connector, and is IP 65 rated for use in temperatures ranging from -40° to 70°C..

This device can be powered by 12V auxiliary power from dim-to-off LED driver for ease of setup and operation.

## Wireless Control Operation

**Proprietary Casambi Bluetooth Mesh:** The unit can pair with an Android or iOS application to allow initial setup and subsequent adjustments. End users can program dimming levels and group multiple controllers into a Bluetooth Mesh system

**1 Channel Dimming:** allows for one 0-10 dimming channel for driver control.

**Relay Control:** High control output can be used to trigger relays or other control circuitry.

See [McWong\\_Casambi Commissioning User Manual](#) for more info.

## Summary

Product Type:  
Wireless Fixture Controller

Input Voltage | Current Consumption:  
12-24 VDC | 100 mA

0-10V Output: 100 mA

High: Vin-2.5 V 100 mA source

Mounting:  
PSC-ZKV-R1T, TE 2343403-1

Max Bluetooth Range<sup>1</sup>:  
49 ~ 65ft (15 ~ 20m)

Operating Temperature:  
-40° C to 70°C

Storage Temperature:  
-40° C to 85°C

Relative Humidity:  
90-95% non-condensing at 30°C

Color: Black / Dark Brown

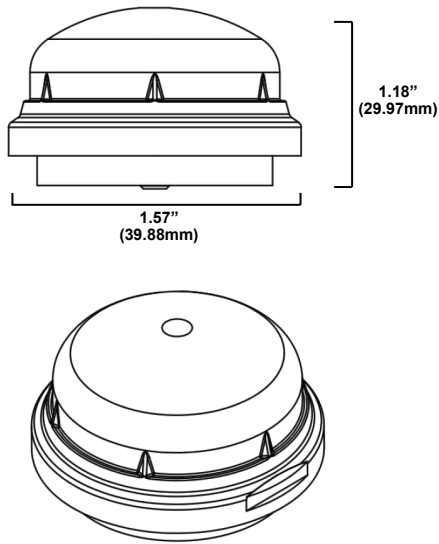
Warranty: 5 years

Note:  
1. Bluetooth Range is highly dependent on the integration of fixtures, surrounding environment and conditions. It is recommended to conduct testing for range accuracy.

## How to Order

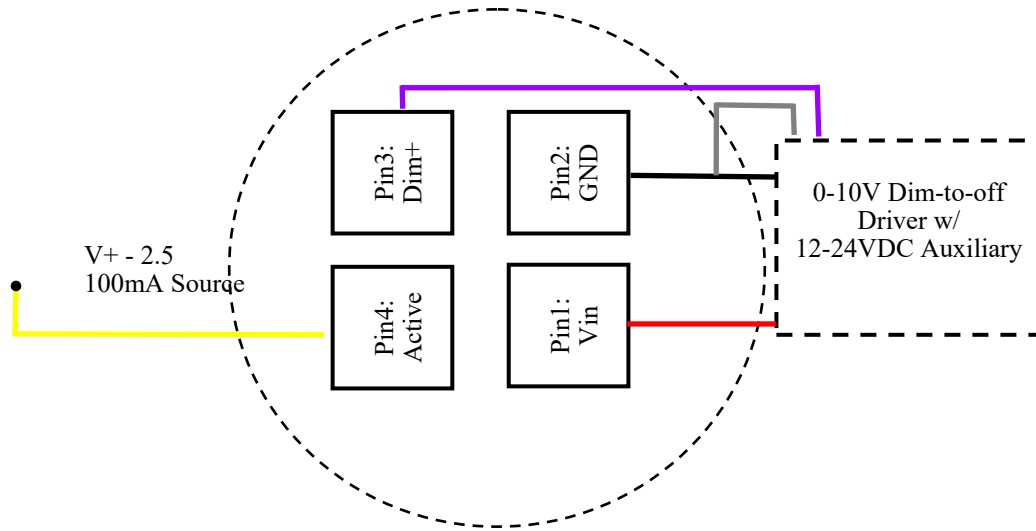
Model No.	Description	Input Voltage	Output
PSC-ZKV-WCM-100-BLE-CB	Fixture Controller w/ 0-10V Dimming, Casambi Bluetooth Mesh	12-24VDC	Control High 0-10V Dimming

**Physical Dimensions**



Drawings are Not to Scale

**Wireless Block Diagram:**



Design and specifications are subject to change without notice.