

PSC-ZKV-WCM-200-BLE-CB | Wireless Fixture Controller, Tunable White, w/ Z10 Connector

Overview

- Casambi Bluetooth Mesh
- 0-10V (x2) Dimming output
- High-End Trim, Zoning, Continuous Bi-level Dimming, Color Tuning, Scheduling
- Outdoor and Indoor rated
- Low Voltage Connector, match with PSC-ZKV-R1T, TE 2343403-1



*Receptacle not included

Applications

The Wireless Fixture Controller allows for one channels of 0-10 dimming, high relay control, and is made to fit into a Bluetooth mesh system.

The controller is suitable for a variety of indoor and outdoor applications. It comes with Low Voltage Connector, and is IP 65 rated for use in temperatures ranging from -40° to 70°C..

This device can be powered by 12V auxiliary power from dim-to-off LED driver for ease of setup and operation.

Wireless Control Operation

Proprietary Casambi Bluetooth Mesh: The unit can pair with an Android or iOS application to allow initial setup and subsequent adjustments. End users can program dimming levels and group multiple controllers into a Bluetooth Mesh system

2 Channel Dimming: allows for two 0-10 dimming channel for driver control.

See [McWong_Casambi Commissioning User Manual](#) for more info.

Summary

Product Type:
Wireless Fixture Controller

Input Voltage | Current Consumption:
12-24 VDC | 100 mA

0-10V Output (x2): 100 mA

Mounting:
Fixture mount, mating receptacle PSC-ZKV-R1T, TE 2343403-1

Max Bluetooth Range¹:
49 ~ 65ft (15 ~ 20m)

Operating Temperature:
-40° C to 70°C

Storage Temperature:
-40° C to 85°C

Relative Humidity:
90-95% non-condensing

Color: Black / Dark Brown

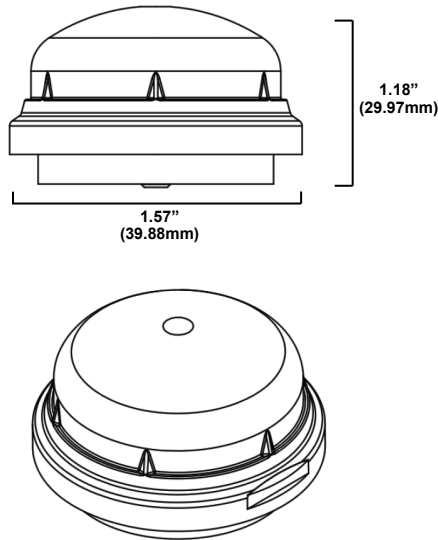
Warranty: 5 years

Note:
1. Bluetooth Range is highly dependent on the integration of fixtures, surrounding environment and conditions. It is recommended to conduct testing for range accuracy.

How to Order

Model No.	Description	Input Voltage	Output
PSC-ZKV-WCM-200-BLE-CB	Fixture Controller w/ 0-10V Dimming, Tunable White, Casambi Bluetooth Mesh	12-24VDC	0-10V Dimming (x2)

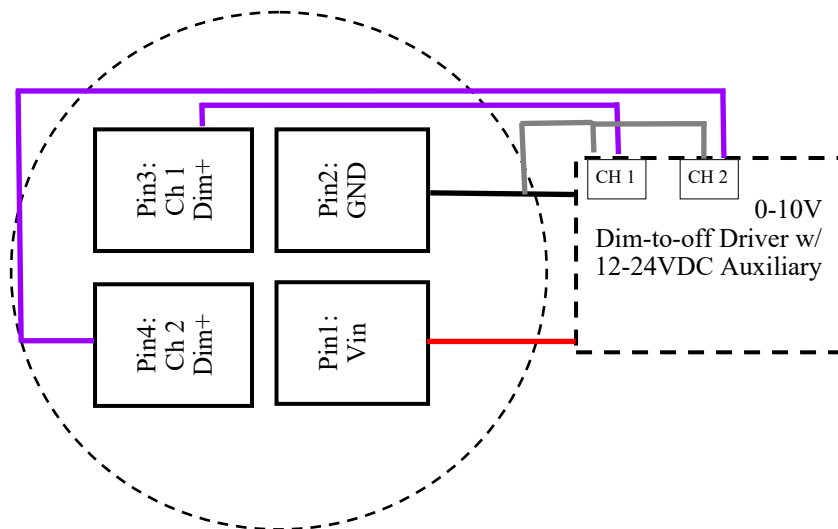
Physical Dimensions



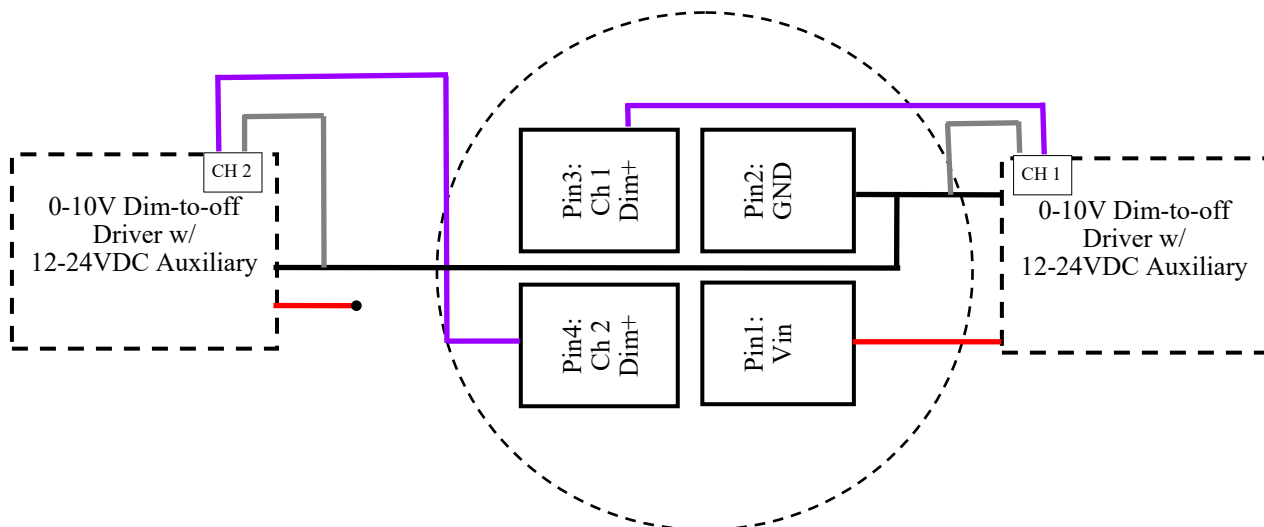
Drawings are Not to Scale

Wireless Block Diagram:

One Driver w/ two 0-10V Dimming Channels



Two Drivers w/ 0-10V Dimming Channels



Design and specifications are subject to change without notice.