

PSC-ZKV-WCM-2X0-BLE-SR | Wireless Fixture Controller, Tunable White, w/ Z10 Connector

Overview

- Bluetooth® SIG mesh
- 0-10V Dimming output
- Photocell control, High-End Trim, Zoning, Continuous Bi-level Dimming, Color Tuning
- Energy Monitoring and Scheduling with TruBlu™ Gateway
- Active High output for Relay drive
- Outdoor and Indoor rated
- Low Voltage Connector, match with PSC-ZKV-R1T, TE 2343403-1
- Technology Partner SILVAIR



*Receptacle not included



DLC for indoor only

Applications

The Wireless Fixture Controller allows for one channels of 0-10 dimming, high relay control, and is made to fit into a Bluetooth mesh system.

The PSC-ZKV-WCM-210-BLE-SR option also measures the ambient light and relays the current level for automated lighting control.

The controller is suitable for a variety of indoor and outdoor applications. It comes with Low Voltage Connector, and is IP 65 rated for use in temperatures ranging from -40° to 70°C..

This device can be powered by 12V auxiliary power from dim-to-off LED driver for ease of setup and operation.

Wireless Control Operation

TruBlu™ Mesh Controls: Qualified for Bluetooth Mesh 1.0.1 (SIG), the unit can pair with an iOS application to allow initial setup and subsequent adjustments. End users can program dimming levels and group multiple controllers into a Bluetooth® Mesh system for simultaneous wireless lighting control.

1 Channel Dimming: allows for one 0-10 dimming channel for driver control.

Relay Control: High control output can be used to trigger relays or other control circuitry.

Photocell (for PSC-ZKV-WCM-210-BLE-SR version only): Allows for ambient daylight detection for automated lighting control.

See TruBlu™ Commissioning User Manual for more info.

Summary

Product Type:
Wireless Fixture Controller

Input Voltage | Current Consumption:
12-24 VDC | 100 mA

0-10V Output (x2): 100 mA

High: Vin-2.5 V 100 mA source

Mounting:
Fixture mount, mating receptacle PSC-ZKV-R1T, TE 2343403-1

Max Bluetooth Range¹:
49 ~ 65ft (15 ~ 20m)

Operating Temperature:
-40° C to 70° C

Storage Temperature:
-40° C to 85° C

Relative Humidity:
90-95% non-condensing

Color: Black / Dark Brown

Warranty: 5 years

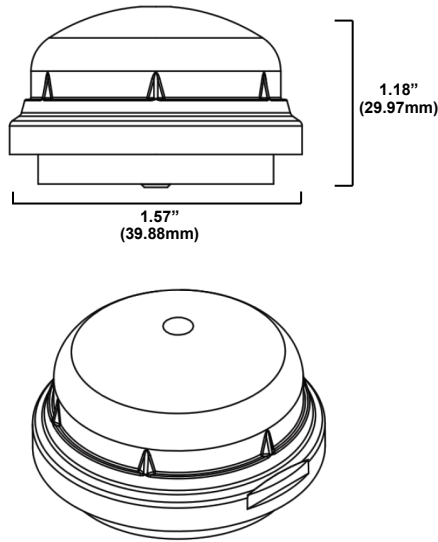
Note:

1. Bluetooth Range is highly dependent on the integration of fixtures, surrounding environment and conditions. It is recommended to conduct testing for range accuracy.

How to Order

Model No.	Description	Input Voltage	Output
PSC-ZKV-WCM-200-BLE-SR	Fixture Controller w/ 0-10V Dimming, Tunable White, Bluetooth Mesh in TruBlu™	12-24VDC	Control High 0-10V Dimming
PSC-ZKV-WCM-210-BLE-SR	Fixture Controller w/ 0-10V Dimming, Light Sensing, Tunable White, Bluetooth Mesh in TruBlu™	12-24VDC	Control High 0-10V Dimming

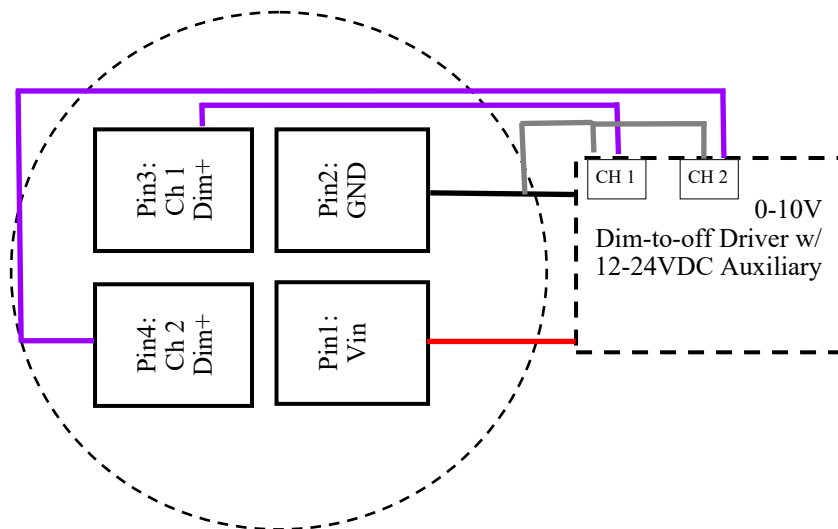
Physical Dimensions



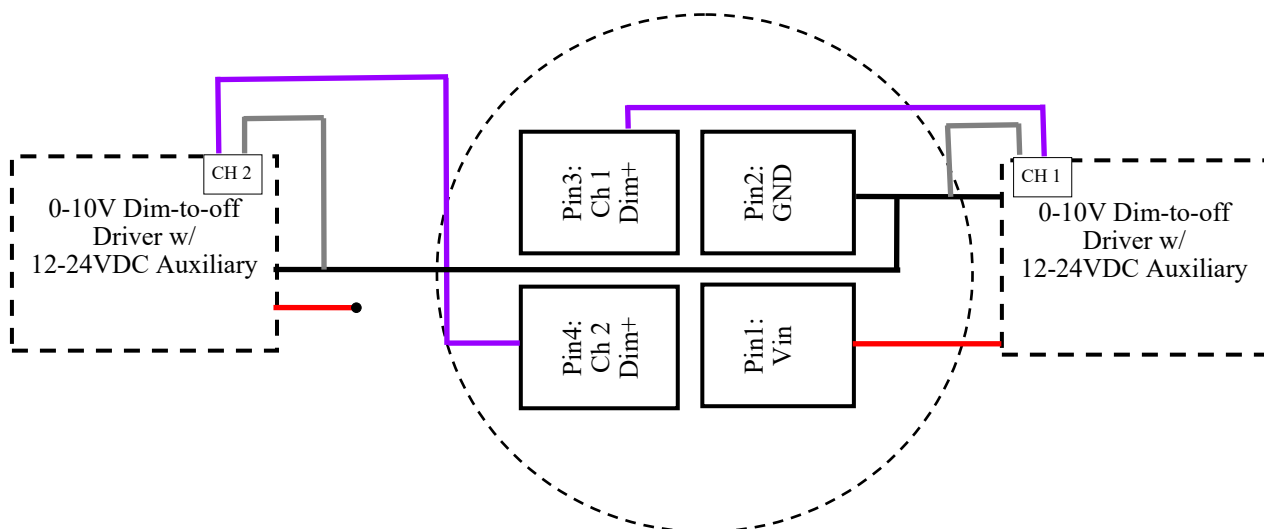
Drawings are Not to Scale

Wireless Block Diagram:

One Driver w/ two 0-10V Dimming Channels



Two Drivers w/ 0-10V Dimming Channels



Design and specifications are subject to change without notice.