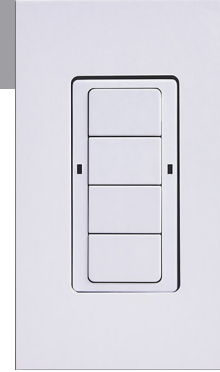


# 4-Button Wireless Bluetooth Mesh Wall Controller



Suitable for Indoor Use Only

## Overview

- Bluetooth® SIG mesh
- Manual on/off (wireless)
- Dim up/down (wireless)
- Conforms with DLC NLC5 Cybersecurity Standards
- LED status indicator light
- 4-Button functions may be customized
- Mounts in any standard wall box
- Color: white



## Applications

McWong's Wireless 4-Button Wall Controller (PSC-DM-WS-400-BLE-SR) wirelessly communicates with Bluetooth mesh controllers to provide scene and light level control to lighting in the space. It can be installed in a standard 1-gang wall box. The field-customizable buttons can be programmed for ON/OFF/RAISE/LOWER preset scenes or white tuning.

Typical applications include private offices, open office areas, lobbies, classrooms and conference rooms.

Optional button engraving kits are available.

## Operation

**TruBlu™ Mesh Controls:** Qualified by Bluetooth SIG for its Bluetooth Mesh 1.0.1 specification, the wall controller connects to a Bluetooth mesh network and is accessed via the TruBlu web portal or mobile app for initial design, setup and scheduling, as well as subsequent parameter adjustments.

End users can then program length of time delays, fade time, and other settings using these design and commissioning tools.

The PSC-DM-WS-400-BLE-SR controls all of the lights in a specific zone. The unit also functions as a dimmer to override the pre-configured occupancy sensor settings.

See the TruBlu™ Commissioning User Manual for more information.

## Summary

4-Button Wall Controller

Input Voltage | Power Consumption:  
120-277 VAC, 50/60Hz | Max 1.5W

Mounting:  
Standard wall box

Max Range:  
40 ft @ 4ft mounting height  
(12.2m @ 1.2m mounting height)

Max Bluetooth Range<sup>1</sup>:  
30ft (9.14m)

Operating Temperature:  
0° to 55°C

Storage Temperature:  
-10° to 60°C

Relative Humidity:  
90-95% non-condensing at 30°C

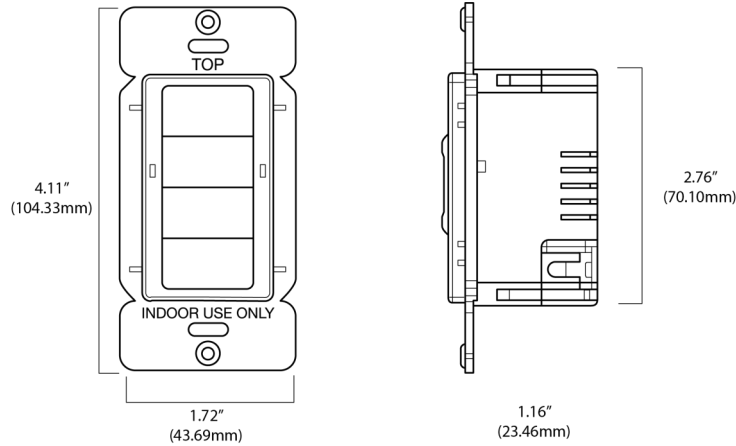
Color: White

Warranty: 5 years

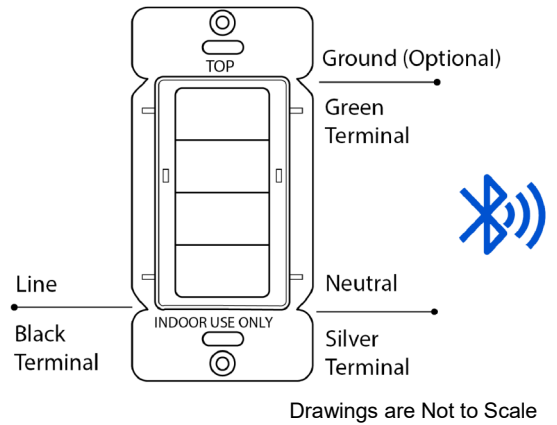
Note:  
1. Bluetooth Range is highly dependent on the integration of fixtures, surrounding environment and conditions. It is recommended to conduct testing for range accuracy.

Project	
Location/Type	

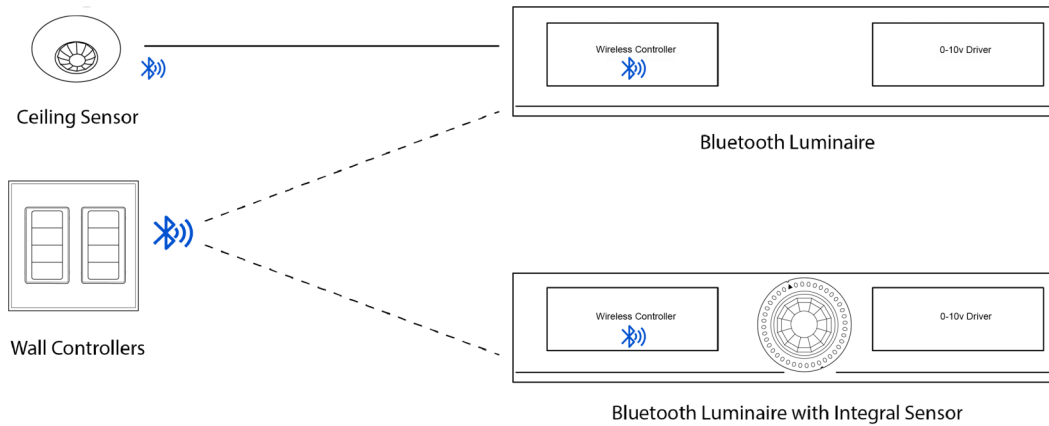
**Physical Dimensions**



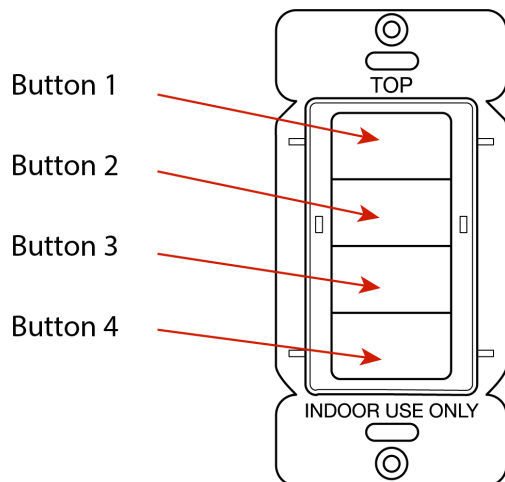
**Wiring Diagram**



**Examples**



**Wireless Manual Control**



**Button 1 and button 2 for Auto/On and dimming:**

Short press Button 1 - AUTO/ON

Short press Button 2 - Off

Long press Button 1 - Dim Up

Long press Button 2 - Dim Down

Auto = Resume automatic control; turns on the automatic settings for luminaires (defined by the settings profile).

**Button 3 and Button 4 to trigger scenes or control color temperature (if available), scenes must be configured:**

Short press Button 3 - Scene A (if configured)

Short press Button 4 - Scene B (if configured)

Long press Button 3 - Colder (if available)

Long press Button 4 - Warmer (if available)

**Factory reset:**

Hold both Button 1 and Button 4 for 10 sec. The device returns to an un-provisioned state.

**How to Order**

Model No.	Description	Input Voltage
PSC-DM-WS-400-BLE-SR	Wireless 4-Button Dimmer Wall Controller, Scene Control, TruBlu SIG Bluetooth Mesh, Technology Partner Silclair (decorator plate not included)	120-277 VAC, 60Hz

Design and specifications are subject to change without notice.