

PSC-AC-PP-200 | 120-277V Power Pack, 12VDC output

Overview

PSC-AC-PP-200:

- Self-contained transformer relay system
- Powers low voltage sensors (12.5VDC)
- Capable of switching loads up to 10A, 120/277VAC E. Ballast, LED, CFL
- 0-10V dimming compatible



Suitable for indoor and outdoor use

Applications

McWong's PacWave™ PSC-AC-PP-200 Power Packs are designed to operate in a wide range of applications that require high voltage switching through low voltage controls. Typical applications include lighting controls in classrooms, conference rooms, and offices.

McWong's PacWave™ PSC-AC-PP-200 Power Packs incorporate a line voltage transformer which can accept universal input (120-277VAC). PSC-AC-PP-200 contains a high current relay.

How to Order

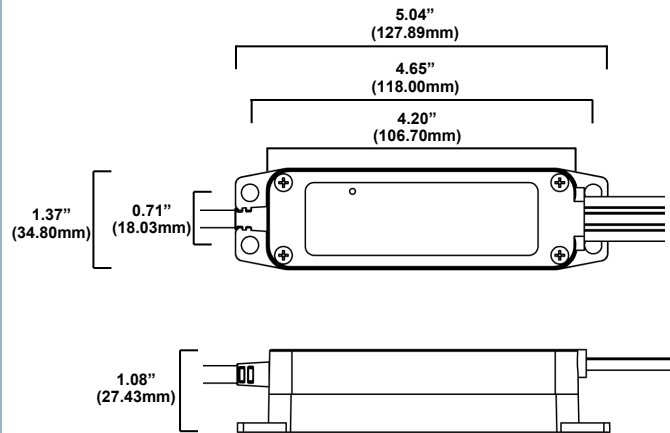
Model No.	Description	Input Voltage	Output
PSC-AC-PP-200/C	Dimming Power Pack for Fixture Mount with Connector	100-277VAC	12.5VDC
PSC-AC-PP-200	Dimming Power Pack for Fixture Mount	100-277VAC	12.5VDC

Summary	
Product Type	Low Voltage Power Pack
Input Voltage	120-277VAC
Output	12.5VDC, 150mA
Max Load (PSC-AC-PP-200)	120-277VAC, 10A E. Ballast, LED, CFL
Operating Temperature	-30° C to 70°C
Storage Temperature	-40° C to 80°C
Relative Humidity	90-95% non-condensing at 30°C
Color	White
Warranty	5 years

Wires:

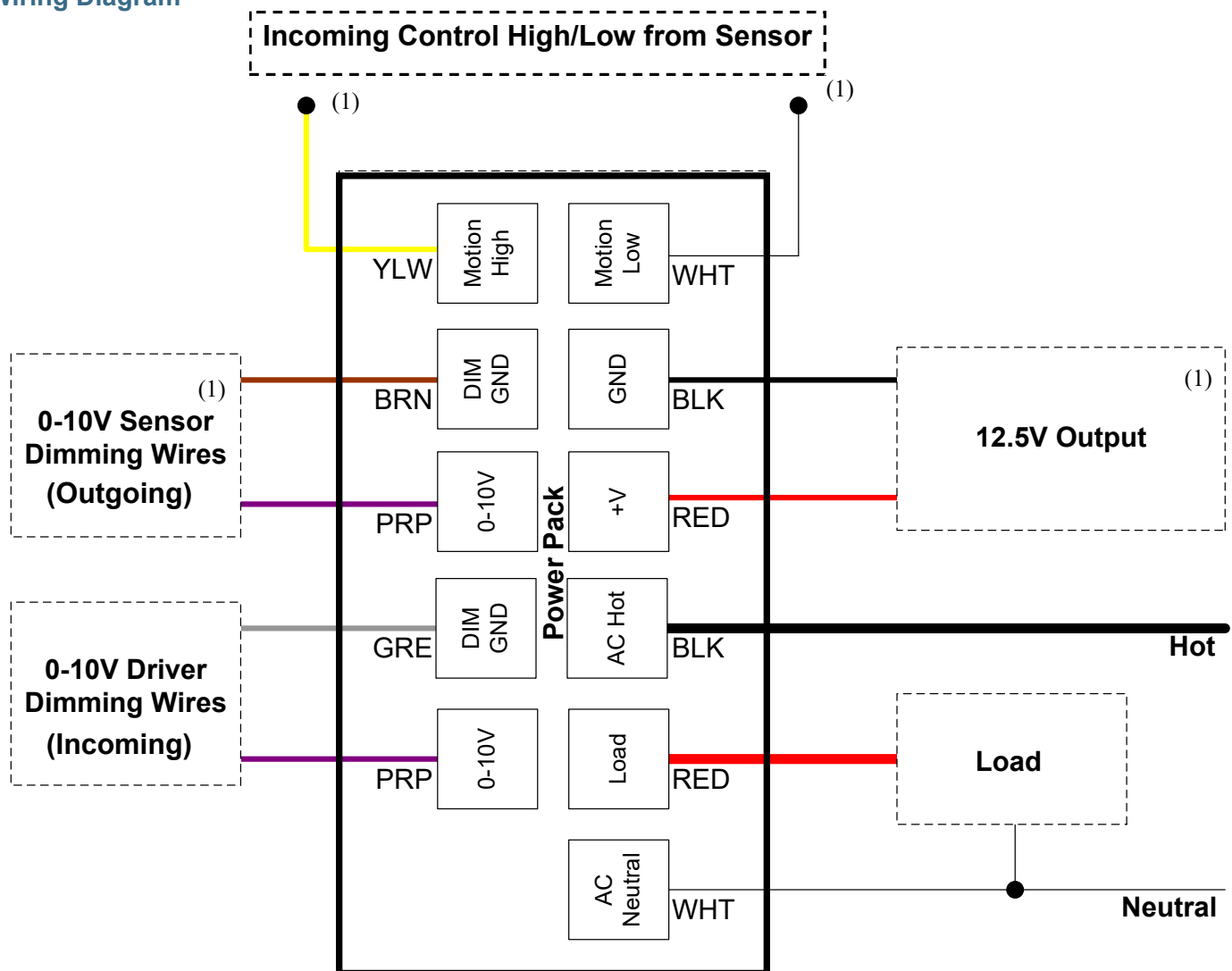
Input Line Black, Input Common White, Load Red	14AWG, 600V, 290+/-10 mm, Half Strip 12mm
Incoming 0-10V Dimming Purple, Incoming Dimming Ground Grey	22AWG, 300V, 400+/-10 mm, Strip 10mm Tin Plated
Output 12V+ Red, Output V- Black, Control High Yellow, Control Low White, Outgoing 0-10V Dimming Purple, Outgoing Dimming Ground Brown	22AWG, 300V, 450+/-10 mm, Strip 10mm Tin Plated

Physical Dimensions



Drawings are Not to Scale

Wiring Diagram



(1) For Power Packs with connectors (PSC-AC-PP-200/C), these six leads will be connected to a 6-Pins connector.