

PSC-AC-PP-700C | 120-277V Power Pack, 12VDC output

Overview

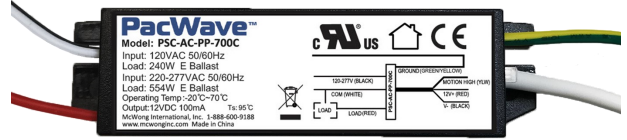
PSC-AC-PP-700C:

- Self-contained transformer relay system
- Powers low voltage devices (12 VDC)
- Capable of switching load up to 2A, 120/277VAC E. Ballast, LED, CFL

Applications

McWong's PacWave™ PSC-AC-PP-700C Power Packs are designed to operate in a wide range of applications that require line voltage switching through low voltage controls. Typical applications include lighting controls in classrooms, conference rooms, and offices.

McWong's PacWave™ PSC-AC-PP-700C Power Packs incorporate a line voltage transformer which can accept universal input (120-277VAC).



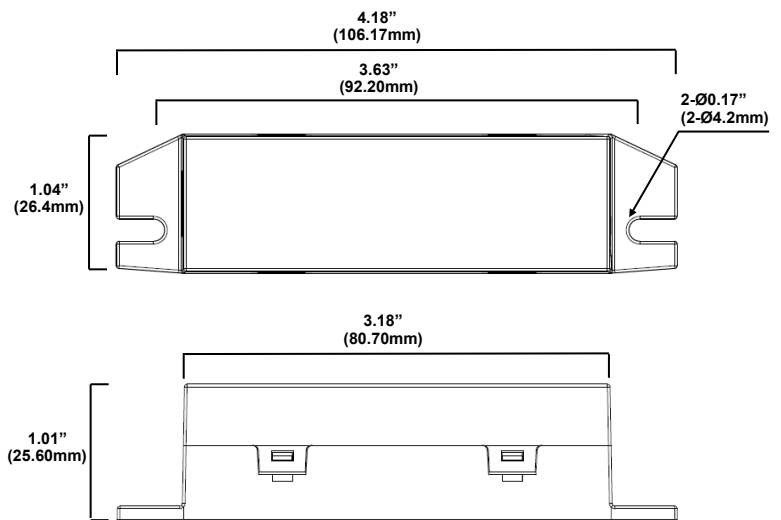
Summary

Product Type	Low Voltage Power Pack
Input	120-277VAC, 50/60Hz
Output	12VDC, 0~100mA
Max Load	240VA @ 120VAC, 2A 554VA @ 277VAC, 2A E. Ballast, LED, CFL
Operating Temperature	-20° C to 70°C
Storage Temperature	-40° C to 85°C
Relative Humidity	10-95%
Color	Black

Wires:

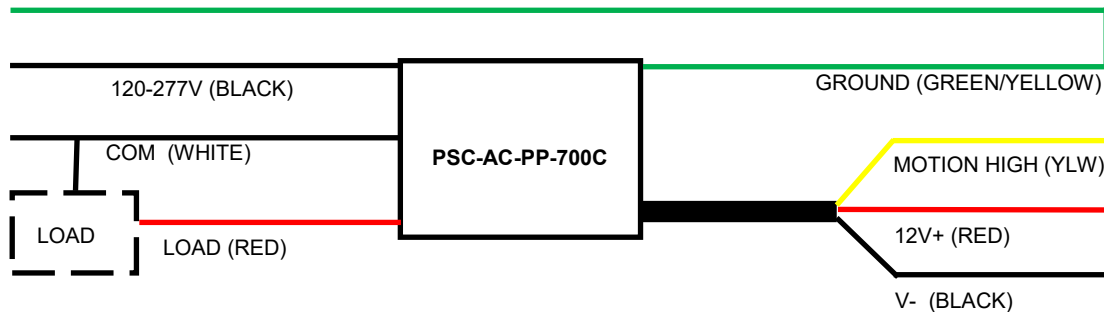
Input Line Black, Input Common White, Load Red	18AWG, 300+/-10 mm, Strip 10mm Tin Plated
Ground Green/Yellow	18AWG, 410+/-10 mm, with eyelet ø5mm
Output 12V+ Red, Output V- Black, Control High Yellow	26AWG, 300+/-10 mm, Strip 10mm Tin Plated

Physical Dimensions



Drawings are Not to Scale

Wiring Diagram



How to Order

Model No.	Description	Input Voltage	Output
PSC-AC-PP-700C	Low Voltage Power Supply for Fixture Mount w/ Relay	100-277VAC	12VDC