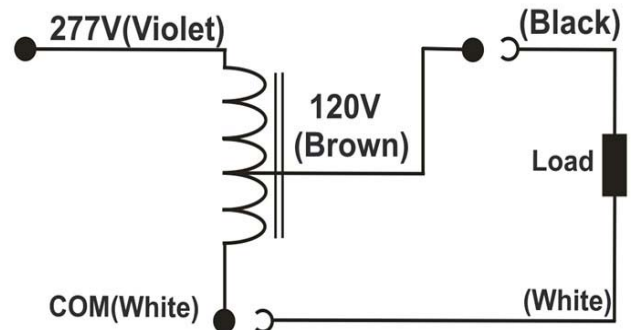
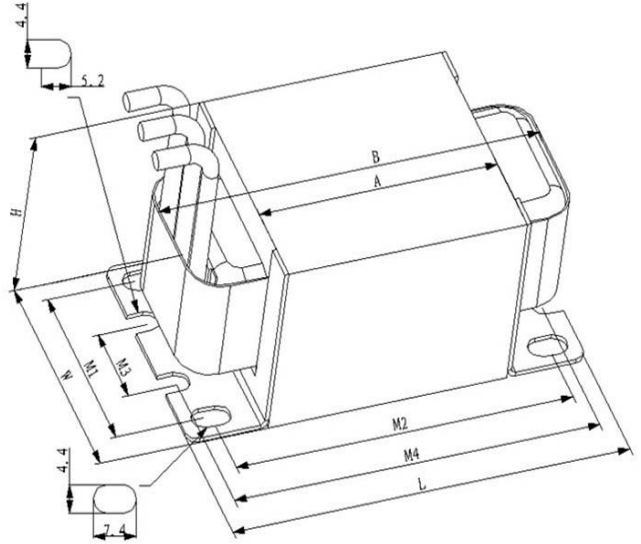




cUL[®] US RoHS ISO9001

Model No.	MTM00302712C
Product Type	Step-down Transformer
Rating (VA)	30
Vin Vout	277VAC 120VAC
Frequency	60 Hz
Status	Production

Input Voltage (V)		277	
Max Input Circuit (A)		0.12	
Max Output Circuit (A)		0.25	
Max. Load(VA)		30	
Output Voltage (V)		120	
Full Load	EFF. (%)	88	
	THD (%)	4.8	
	Power Factor	0.983	
UL Class B 130 Temp. Code		A	
Dimension (inches/mm)	Basic dimensions	A*	1.18±0.04/30±1
		B(Max)	2.17/55
		W	1.65±0.04/42±1
		H	1.34±0.04/34±1
	Installation dimensions	M1	1.28/32.6
		M2	1.91±0.04/48.6±2
		M3	0.57/14.4
		M4	2.13±0.04/54±2
		L	2.36±0.04/60±2
		Max Net Weight (lbs)	
Max Net Weight + LW (lbs)		0.83	
Lead Length (inches)		8±0.5	



A* not covered the thickness of the two holders
 *Lead Type: (AVLV2, AVLV8), Type 3135, No. 18 AWG (or Equivalent), rated 200°C, 600 V. Strip 10mm Tin Plated.

Product Standards: UL 5085-1, UL 5085-2
 UL CCN: XPTQ2, XPTQ8

Document No.:	PS_MTM_VA0030_27-12_C_M03
Date:	2017-02-08 (yyyy-mm-dd)