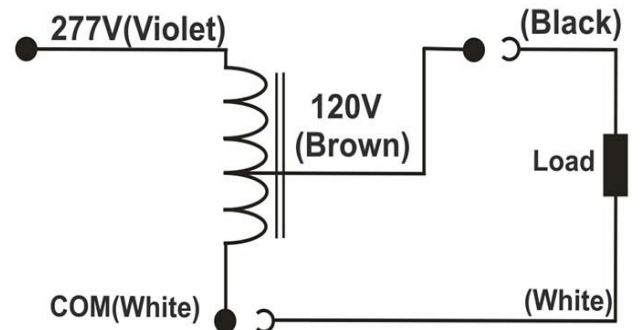
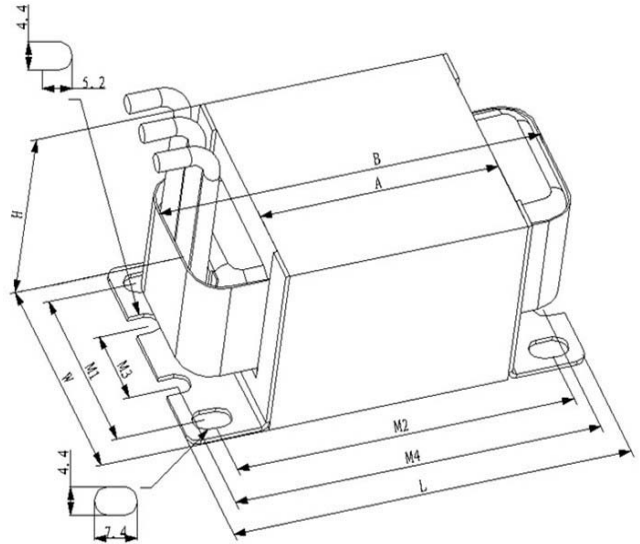




**cUL<sup>®</sup> US RoHS ISO9001**

Model No.	<b>MTM00502712C</b>
Product Type	<b>Step-down Transformer</b>
Rating (VA)	<b>50</b>
Vin   Vout	<b>277VAC   120VAC</b>
Frequency	<b>60 Hz</b>
Status	<b>Production</b>

Input Voltage (V)		277	
Max Input Circuit (A)		0.20	
Max Output Circuit (A)		0.41	
Max. Load(VA)		50	
Output Voltage (V)		120	
Full Load	EFF. (%)	89	
	THD (%)	4.8	
	Power Factor	0.982	
UL Class B 130 Temp. Code		A	
Dimension (inches/mm)	Basic dimensions	A*	1.77±0.04/45±1
		B(Max)	2.8/70
		W	1.65±0.04/42±1
		H	1.34±0.04/34±1
	Installation dimensions	M1	1.28/32.6
		M2	2.50±0.04/63.6±2
		M3	0.57/14.4
		M4	2.72±0.04/69±2
		L	2.95±0.04/75±2
		Max Net Weight (lbs)	
Max Net Weight + LW (lbs)		1.07	
Lead Length (inches)		8±0.5	



A\* not covered the thickness of the two holders  
 \*Lead Type: (AVLV2, AVLV8), Type 3135, No. 18 AWG (or Equivalent), rated 200°C, 600 V. Strip 10mm Tin Plated.

Product Standards: UL 5085-1, UL 5085-2  
 UL CCN: XPTQ2, XPTQ8

Document No.:	<b>PS_MTM_VA0050_27-12_C_M03</b>
Date:	<b>2017-02-08 (yyyy-mm-dd)</b>