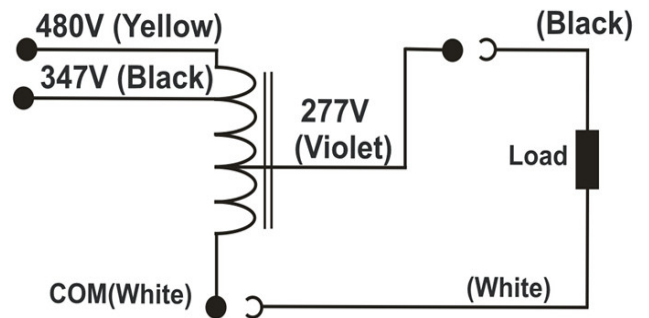
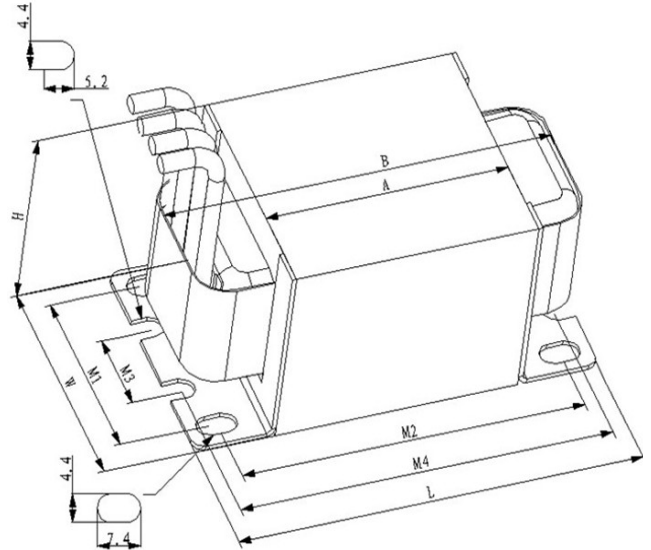




**cUL<sup>®</sup> US RoHS ISO9001**

Model No.	<b>MTM00706227C</b>
Product Type	<b>Step-down Transformer</b>
Rating (VA)	<b>70</b>
Vin   Vout	<b>480/347VAC   277VAC</b>
Frequency	<b>60 Hz</b>
Status	<b>Production</b>

Input Voltage (V)		480/347	
Max Input Circuit (A)		0.16/0.22	
Max Output Circuit (A)		0.25	
Max. Load(VA)		70	
Output Voltage (V)		277	
Full Load	EFF. (%)	90/92	
	THD (%)	5.0/5.3	
	Power Factor	0.983/0.982	
UL Class H 180 Temp. Code		A	
Dimension (inches/mm)	Basic dimensions	A*	2.36±0.04/60±1
		B(Max)	3.31/84
		W	1.65±0.04/42±1
		H	1.34±0.04/34±1
	Installation dimensions	M1	1.28/32.6
		M2	3.09±0.04/78.6±2
		M3	0.57/14.4
		M4	3.31±0.04/84±2
		L	3.54±0.04/90±2
		Max Net Weight (lbs)	
Max Net Weight + LW (lbs)		1.29	
Lead Length (inches)		8±0.5	



A\* not covered the thickness of the two holders

\*Lead Type: (AVLV2, AVLV8), Type 3135, No. 18 AWG (or Equivalent), rated 200°C, 600 V. Strip 10mm Tin Plated. **347V lead wire is pre-insulated.**

Document No.:	<b>PS_MTM_VA0070_62-27_C_M03</b>
Date:	<b>2017-02-08 (yyyy-mm-dd)</b>

Product Standards: UL 5085-1, UL 5085-2  
UL CCN: XPTQ2, XPTQ8